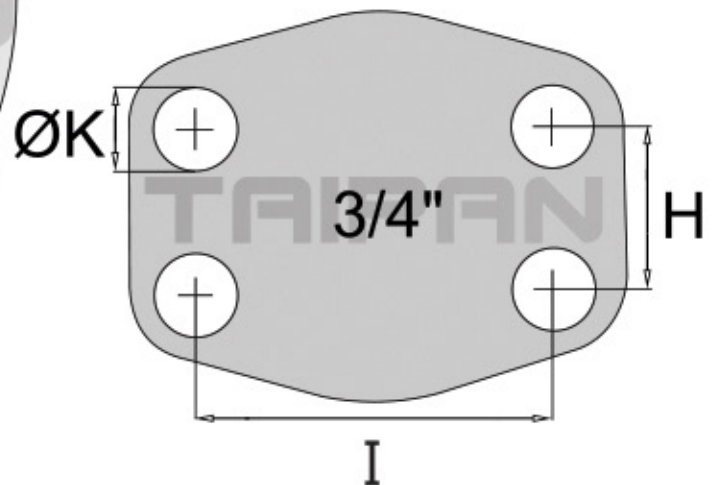
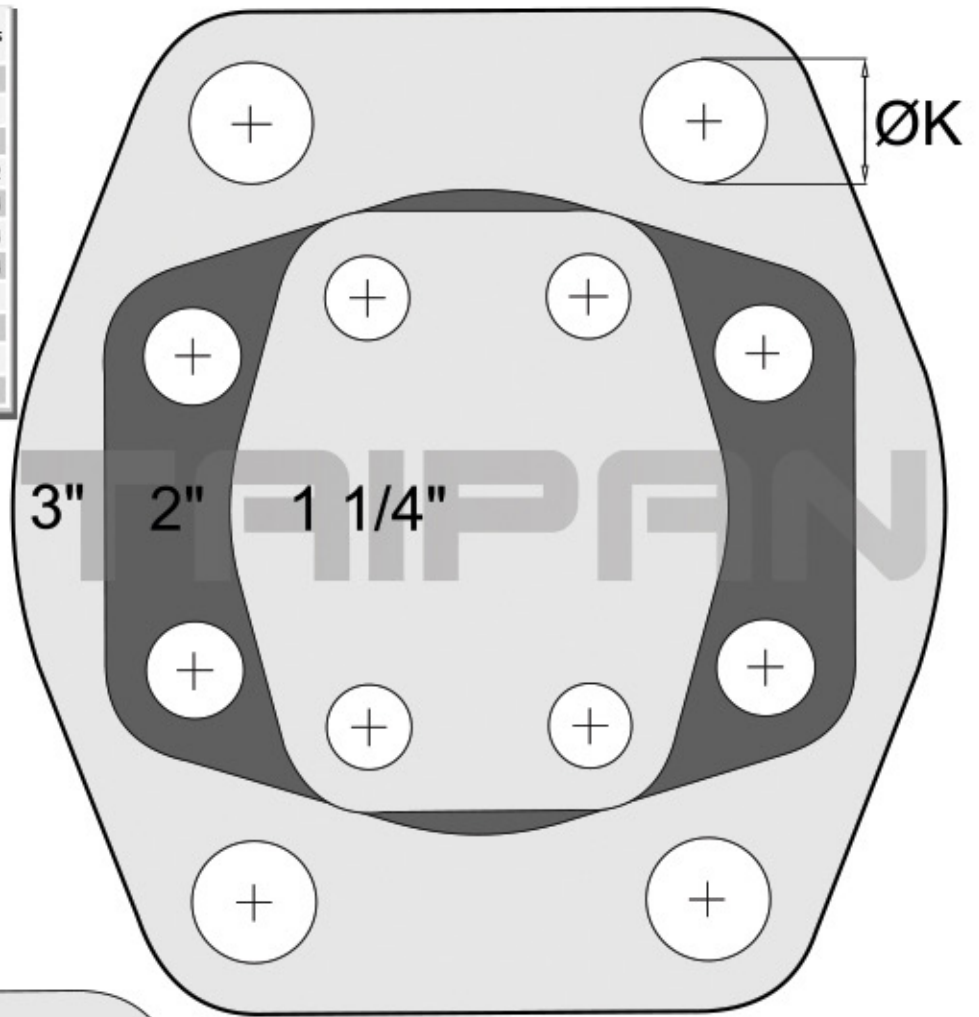


# 3000psi Code 61 Flange Profile / Sizes

SIZE	H	I	Ø Screw Hole	Ø Threads
1/2"	17.5	38.1	8.7	M8
3/4"	22.3	47.6	10.5	M10
1"	26.2	52.4	10.5	M10
1 1/4"	30.2	58.7	10.5/12.5	M10/M12
1 1/2"	35.7	69.9	13.2/14.5	M12/M14
2"	42.9	77.8	13.5/14.5	M12/M14
2 1/2"	50.8	88.9	13.5/14.5	M12/M14
3"	61.9	106.4	17	M16
3 1/2"	69.9	120.7	17	M16
4"	77.8	130.2	17	M16
5"	92.1	152.4	17	M16



# 6000psi Code 62 Flange Profile / Sizes

SIZE	H	I	Ø Screw Hole	Ø Threads
1/2"	18.5	40.5	8.7	M8
3/4"	23.8	50.8	10.5	M10
1"	27.8	57.2	13	M12
1 1/4"	31.8	66.6	13.5/15	M12/M14
1 1/2"	36.5	79.3	17	M16
2"	44.5	96.8	21	M20

