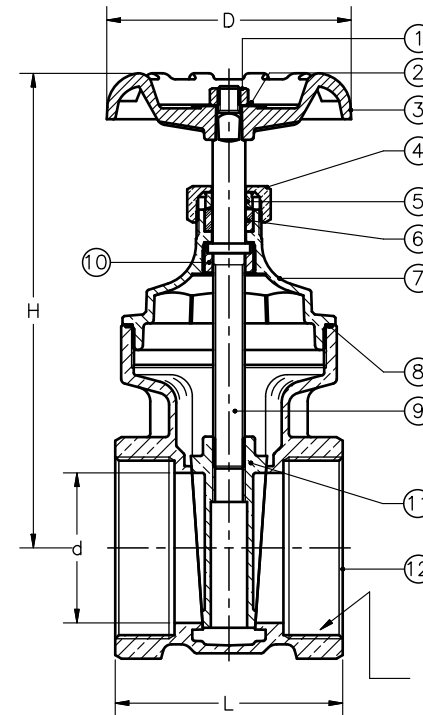
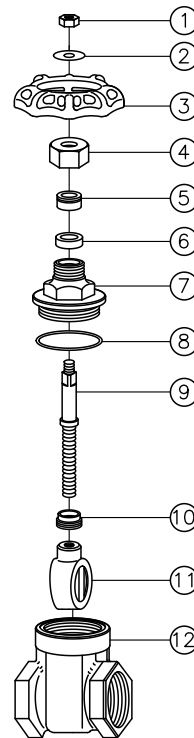




PT. EVERAGE VALVES METALS
 Jl. Raya Sumengko KM. 30,7 - Wringinanom GRESIK

NOMENCLATURE AND MATERIALS					
NO	PARTS	PART NO	MATERIALS	QTY	WATER CONTACT
1	NUT	MUR - B	HOT ROLLED SAE 1010R	1	N
2	NAME PLATE	PLTMRK - AL	ALUMINIUM A1100	1	N
3	HANDLE	HDLW - B	CAST IRON JIS ZZ2202	1	N
4	PACKING NUT	MURPAK - K	BRASS ROD C37700	1	N
5	GLAND RING	GLANRNG - K ; 1 1/4" ~ 4"	BRASS ROD C37700	1	N
6	PACKING	PACK - R	RUBBER (NBR) SN-719F	1	Y
7	BONNET	TPI - BZ	CAST BRONZE C84400	1	Y
8	PACKING	PACK - FB ; 2" ~ 4"	FIBRE	1	Y
9	STEM	STNG - K ; 1/4" ~ 2"	BRASS ROD C37700	1	Y
		STNG - BZ ; 2 1/2" ~ 4"	CAST BRONZE C84400		
10	LOCK NUT	BOSSTNG - K	BRASS ROD C37700	1	Y
11	DISC	KLP - BZ	CAST BRONZE C84400	1	Y
12	BODY	BDY - BZ	CAST BRONZE C84400	1	Y

BRONZE IPS GATE VALVES



FIP [PS THREAD]
 BSSP BS 21

- TEMPERATURE RATING 180°F
 - PRESSURE RATING 300 WOG

NO.	ITEM BAT	ITEM E.A.	NOMINAL SIZE	DIMENSION					FLOW RATE GPM	PRESSURE TEST PSI	PRESSURE DROP PSI	C ^v
				d	D	H	L	FIP				
1	BZVG-015	GV 2 Z1	1/2" FIP	13.5	53	74	43.5	1/2"-14PS	21.81	25	5	9.75
2	BZVG-020	GV 3 Z1	3/4" FIP	19	54	84	46	3/4"-14PS	42.15	25	5	18.84
3	BZVG-025	GV 4 Z1	1" FIP	25	63	99	54	1"-11.5PS	71.18	25	5	31.82
4	BZVG-032	GV 5 Z1	1 1/4" FIP	32	69	117	57	1 1/4"-11.5PS	109.25	25	5	48.83
5	BZVG-040	GV 6 Z1	1 1/2" FIP	38	80	129	62	1 1/2"-11.5PS	167.00	25	5	74.65
6	BZVG-050	GV 7 Z1	2" FIP	49	89.5	152	68.5	2"-11.5PS	193.38	25	5	86.44
7	BZVG-065	GV 8 Z1	2 1/2" FIP	62	101	200	94	2 1/2"-8PS	337.55	25	10	106.67
8	BZVG-080	GV 9 Z1	3" FIP	75	111	224	102	3"-8PS	502.68	25	10	158.85
9	BZVG-100	GV 10 Z1	4" FIP	92	123	251	115	4"-8PS	548.87	25	10	173.44

* BAT

DATE : 08-10-2024