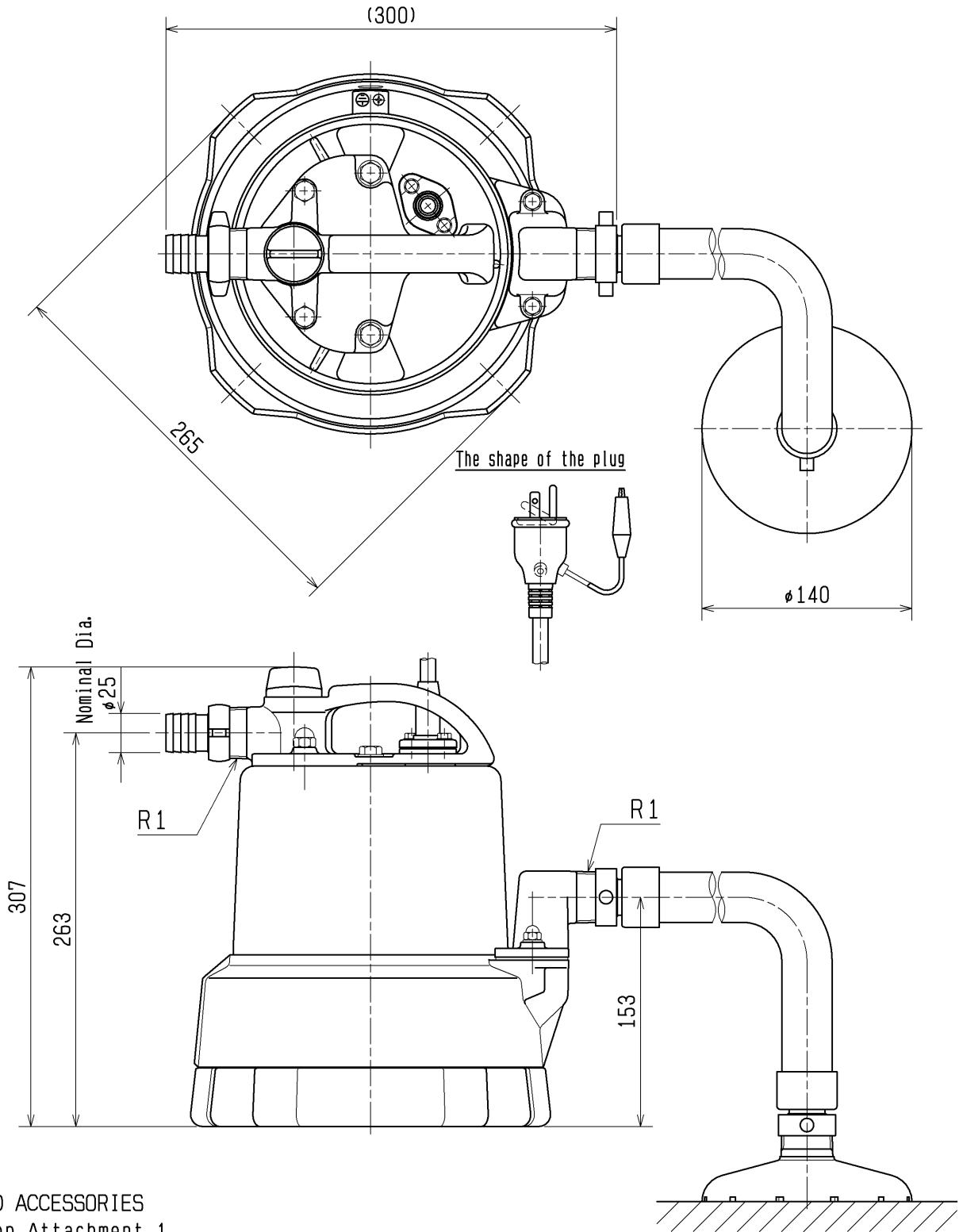


DIMENSION DRAWING		No.	No.
TYPE Self-Priming Residue Dewatering Pump		MODEL	LSP1.4S -52/62

*including STANDARD ACCESSORIES, excluding cable

Approximate Weight (※)
16.5kg

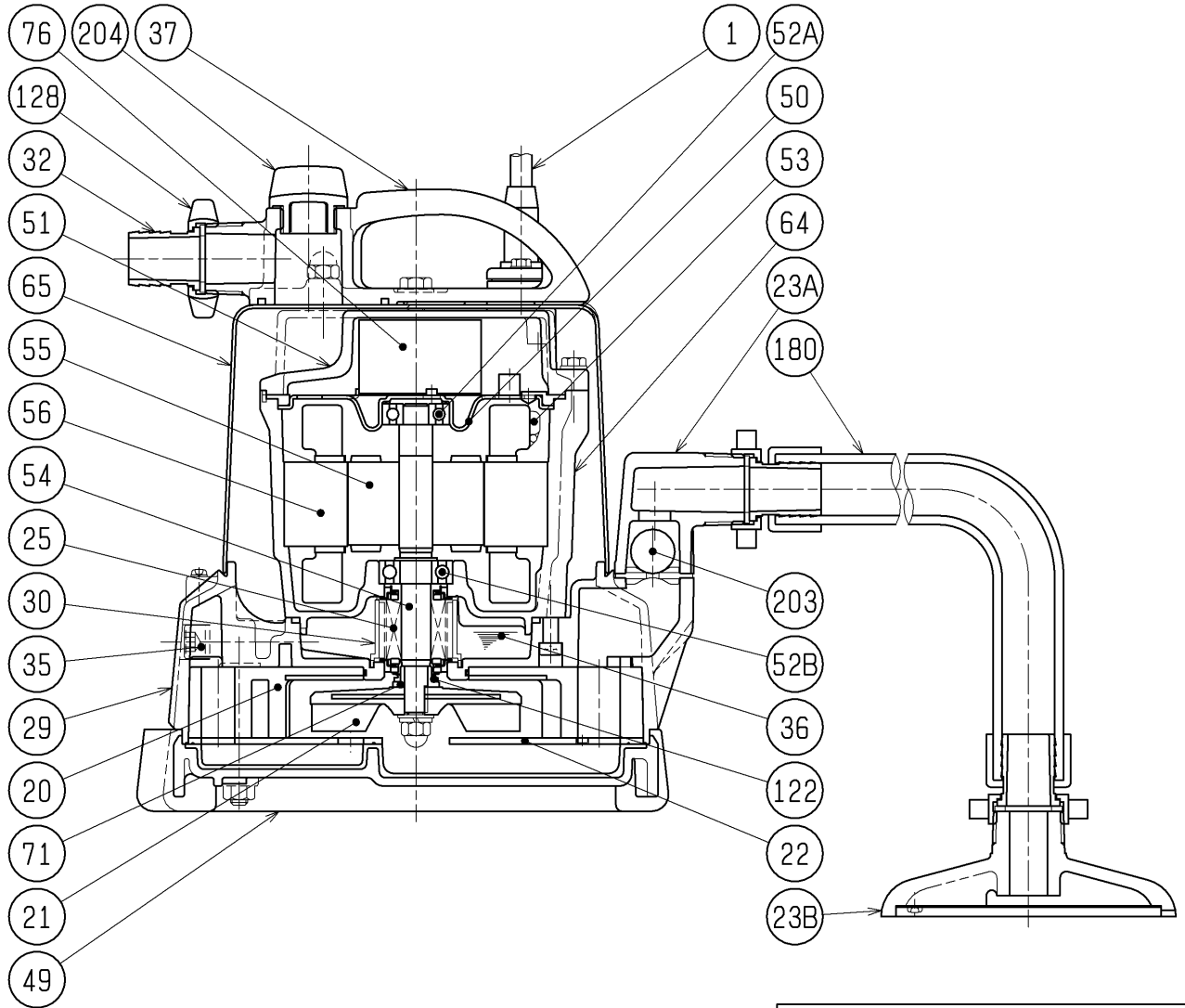


STANDARD ACCESSORIES

- Suction Attachment 1
- 25A Suction Hose with Hose Coupling and Union (5m) 1set

FREQUENCY (Hz)	BORE (mm) SUCTION × DISCHARGE	OUTPUT (kW)	PHASE	VOLTAGE (V)	AMPEARAGE (A)	POLES (P)	STARTING METHOD	INSULATION CLASS	TOTAL HEAD MAX. (m)	CAPACITY MAX. (m ³ /min)	VACUUM MAX. (kPa) (mmHg)
50/60	25×25	0.48	SINGLE			2	CAPACITOR MOTOR	E	6.9/7.8	0.05/0.055	-73.3 (550)

SECTIONAL DRAWING		No.	No. A-11898-7
TYPE	Self-Priming Residue Dewatering Pump	MODEL	LSP1.4S -52/62



REQ. SPECIFICATION	

No.	DESCRIPTION	QTY	MATERIAL / NOTE	No.	DESCRIPTION	QTY	MATERIAL / NOTE
1	Cabtyre Cable	1	PVC Sheath	52B	Lower Bearing	1	6202ZZC3
20	Pump Casing	1	Styrene Butadiene Rubber & Stainless Steel 304	53	Motor Protector	1	
21	Impeller	1	Urethane Rubber	54	Shaft	1	Stainless Steel 403
22	Suction Cover	1	Stainless Steel 304	55	Rotor	1	
23A	Suction Opening	1	Aluminium Die Casting	56	Stator	1	
23B	Suction Attachment	1	Gray Iron Casting	64	Motor Frame	1	Aluminium Die Casting
25	Mechanical Seal	1	W-14VC	65	Outer Cover	1	Steel Plate
29	Oil Casing	1	Aluminium Die Casting	71	Shaft Sleeve	1	Stainless Steel 304
30	Oil Lifter	1	Plastic	76	Capacitor	1	
32	Hose Coupling	1	Aluminium Die Casting	122	V-ring	1	Nitrile Butadiene Rubber
35	Oil Plug	1	Stainless Steel 304	128	Union	1	Aluminium Die Casting
36	Lubricant		Turbine Oil (ISO VG32)	180	Suction Hose Set	1	Suction Hose (25A×5m) & Hose Coupling & Union
37	Discharge Opening	1	Aluminium Die Casting	203	Check Valve	1	Natural Rubber
49	Bottom Plate	1	Aluminium Die Casting & Styrene Butadiene Rubber	204	Drainage Plug	1	ABS Plastic
50	Motor Bracket	1	Steel Plate				
51	Head Cover	1	Aluminium Die Casting				
52A	Upper Bearing	1	6201ZZC3				