

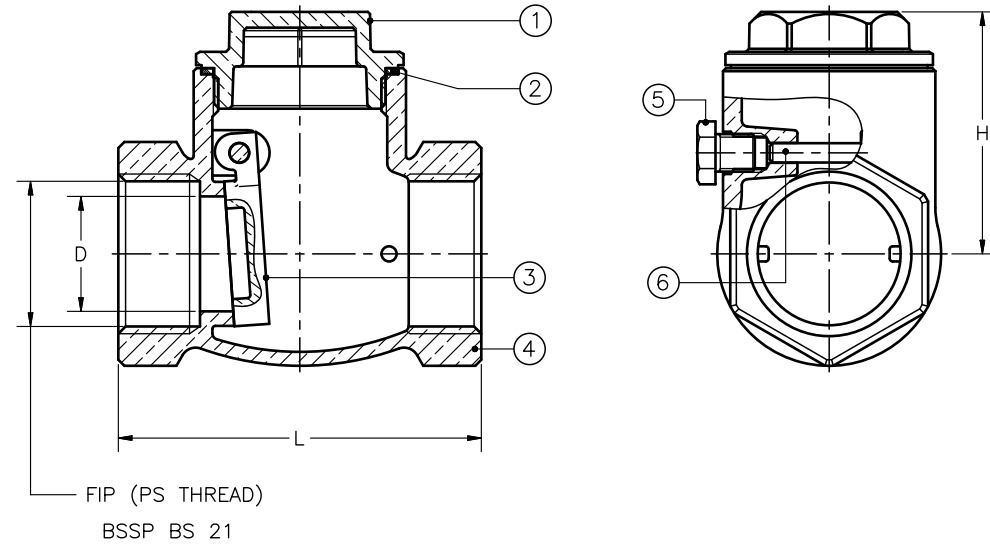
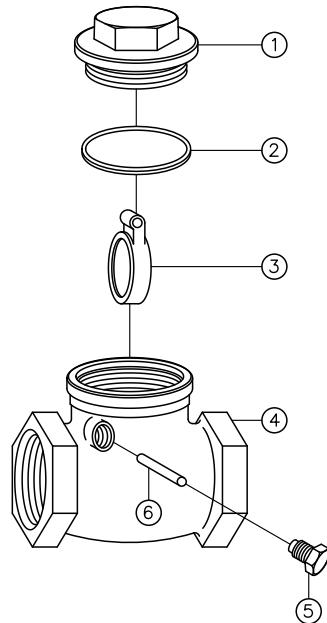


PT. EVER AGE VALVES METALS
 Jl. Raya Sumengko KM. 30,7 - Wringinanom GRESIK

NOMENCLATURE AND MATERIALS

NO	PARTS	PART NO	MATERIALS	QTY	WATER CONTACT
1	BONNET	TPI - K	CAST BRASS C85700	1	Y
2	PACKING	PACK - FB	FIBRE	1	Y
3	DISC	KLP - K	CAST BRASS C85700	1	Y
4	BODY	BDY - K	CAST BRASS C85700	1	Y
5	BOLT	BAT - K	BRASS ROD C37700	1	Y
6	PIN	PN - K	BRASS ROD C46400	1	Y

BRASS IPS SWING CHECK VALVES



- TEMPERATURE RATING 180°F
- PRESSURE RATING 200WOG. NON SHOCK

NO.	ITEM BAT	ITEM E.A.	NOMINAL SIZE	DIMENSION				FLOW RATE GPM	PRESSURE TEST PSI	PRESSURE DROP		C ^v
				D	H	L	FIP			PSI	PSI	
1	BRVCSB-015	CV 2	1/2" FIP	13	36	53	1/2"-14PS	26.120	25	3	15.071	
2	BRVCSB-020	CV 3	3/4" FIP	19	39.5	60	3/4"-14PS	53.357	25	5	23.851	
3	BRVCSB-025	CV 4	1" FIP	23.5	45	66.5	1"-11PS	84.238	25	5	37.654	
4	BRVCSB-032	CV 5	1 1/4" FIP	31.5	52.5	81	1 1/4"-11PS	122.262	25	8	43.281	
5	BRVCSB-040	CV 6	1 1/2" FIP	35	55	90	1 1/2"-11PS	141.680	25	8	50.154	
6	BRVCSB-050	CV 7	2" FIP	45.5	68	107	2"-11PS	192.882	25	10	60.951	
7	BRVCSB-065	CV 8	2 1/2" FIP	58.5	78.5	130.5	2 1/2"-11PS	414.555	25	10	130.999	
8	BRVCSB-080	CV 9	3" FIP	68	96.5	146.5	3"-11PS	470.643	25	10	148.723	
9	BRVCSB-100	CV 10	4" FIP	90	108	173.7	4"-11PS	749.369	25	10	236.801	

* BAT