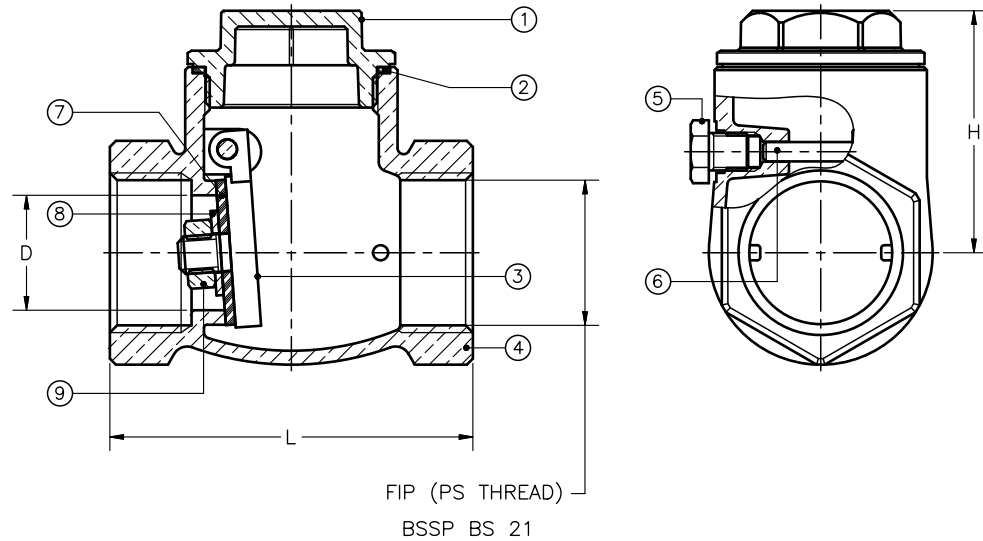




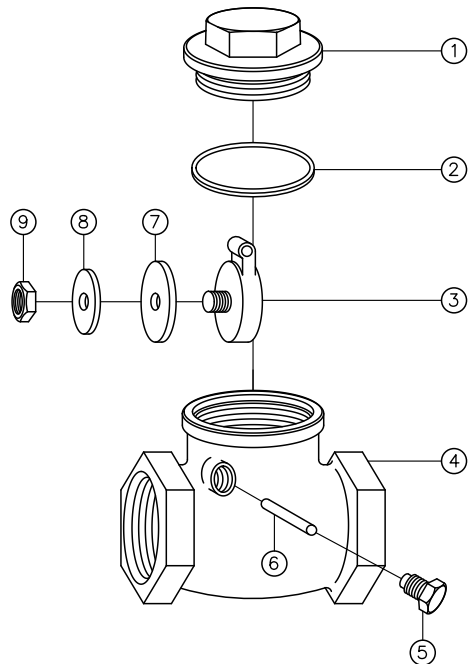
PT. EVER AGE VALVES METALS
 Jl. Raya Sumengko KM. 30,7 - Wringinanom GRESIK

NOMENCLATURE AND MATERIALS

NO	PARTS	PART NO	MATERIALS	QTY	WATER CONTACT
1	BONNET	TPI - K	CAST BRASS C85700	1	Y
2	PACKING	PACK - FB	FIBRE	1	Y
3	DISC	KLP - K	CAST BRASS C85700	1	Y
4	BODY	BDY - K	CAST BRASS C85700	1	Y
5	BOLT	BAT - K	BRASS ROD C37700	1	Y
6	PIN	PN - K	BRASS ROD C46400	1	Y
7	SEAT PACKING	KRTKLP - R	RUBBER (NBR) SN-719F	1	Y
8	WASHER	RNG - STS	STAINLESS STEEL 304	1	Y
9	NUT	MUR - K	FORGED BRASS C26000	1	Y



BRASS IPS SWING CHECK VALVES WITH RUBBER SEAT



- TEMPERATURE RATING 180°F
- PRESSURE RATING 200WOG. NON SHOCK

NO.	ITEM BAT	ITEM E.A.	NOMINAL SIZE	DIMENSION				FLOW RATE GPM	PRESSURE TEST PSI	PRESSURE DROP		C ^v
				D	H	L	FIP			PSI	PSI	
1	BRVCSR-015	CVR 2	1/2" FIP	13	36	53	1/2"-14PS	20.684	25	3	9.246	
2	BRVCSR-020	CVR 3	3/4" FIP	19	39.5	60	3/4"-14PS	39.546	25	5	17.677	
3	BRVCSR-025	CVR 4	1" FIP	23.5	45	66.5	1"-11PS	63.805	25	5	28.521	
4	BRVCSR-032	CVR 5	1 1/4" FIP	31.5	52.5	81	1 1/4"-11PS	103.251	25	8	39.029	
5	BRVCSR-040	CVR 6	1 1/2" FIP	35	55	90	1 1/2"-11PS	127.069	25	8	44.982	
6	BRVCSR-050	CVR 7	2" FIP	45.5	68	107	2"-11PS	160.273	25	10	50.646	

* BAT