

VORTEX DIFFERENTIAL

PRODUCT INFO



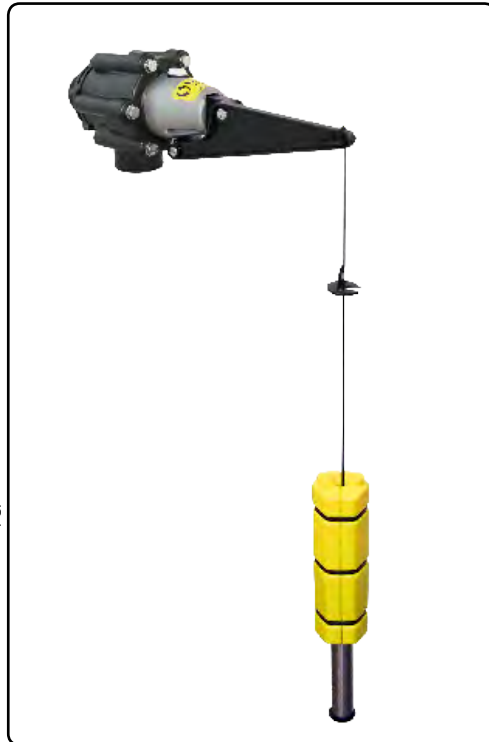
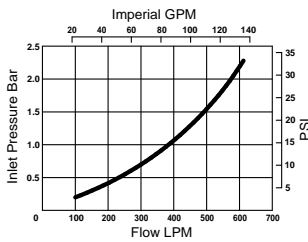
Description

Vortex Differential valves are ideal for use in water tanks which are filled by a pressure system controlled water pump. The valve gives a level difference which is adjustable from 50mm to 2.5m to minimise starting and stopping of the pumping system.

Applications

- Maintaining Water Levels in:
- Water Storage Tanks
 - Water Cisterns
 - Irrigation Applications

Flow Graph (All Sizes)



Principle of Operation

- The valve should be mounted at the top of the tank using a threaded tank inlet fitting.
- As the tank empties the weighted float travels down the cord until it hits the bottom stop. The valve then opens immediately to give a full flow.
- The valve now runs constantly and the weighted float rises until it hits the upper float stop. This lifts the arm and the valve shuts down.
- Observe the pressure that your pump runs at while the tank is filling. Set the pressure switch to turn the pump off at least one bar above the running pressure.

Pressure Range
1 Bar – 10 Bar
(15psi-150 psi)

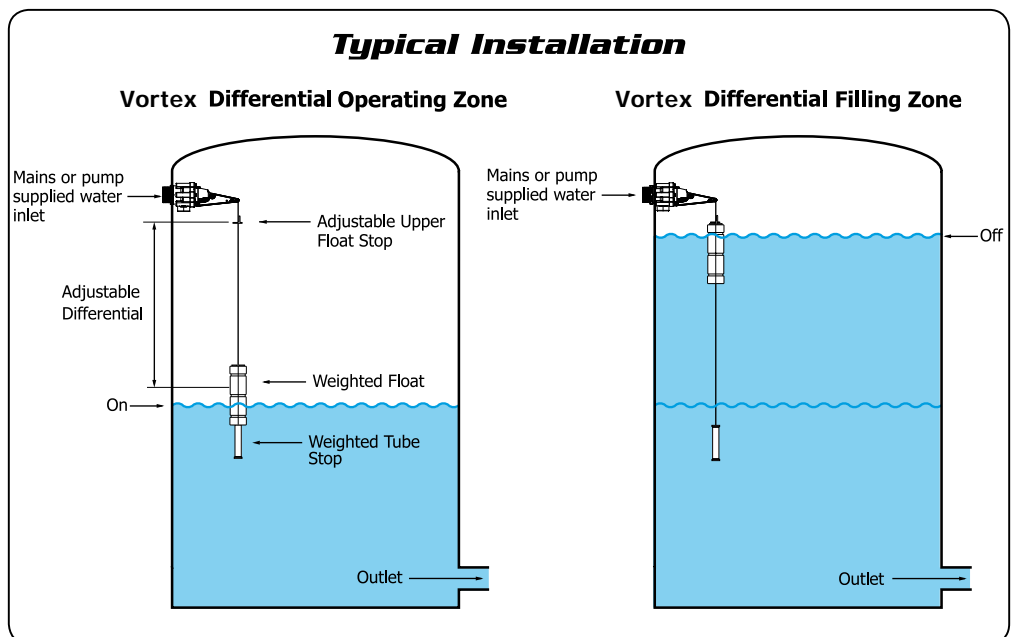
Features

- High flow
- Easily adjustable water level differentials between on and off (50mm - 2.5 m differentials obtainable).
- Reduces pump operation to a minimum.
- Valve unscrews from tail for easy Valve Access.
- Ideal for all makes and models of tanks.

Available Inlet Sizes

VXVD32	32mm (1 ¼")
VXVD40	40mm (1 ½")
VXVD50	50mm (2")
VXVD114	1 ¼" NPT
VXVD112	1 ½" NPT
VXVD2	2" NPT

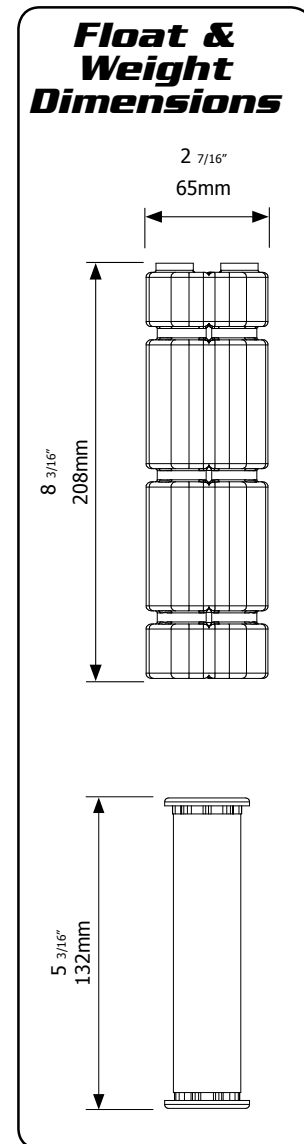
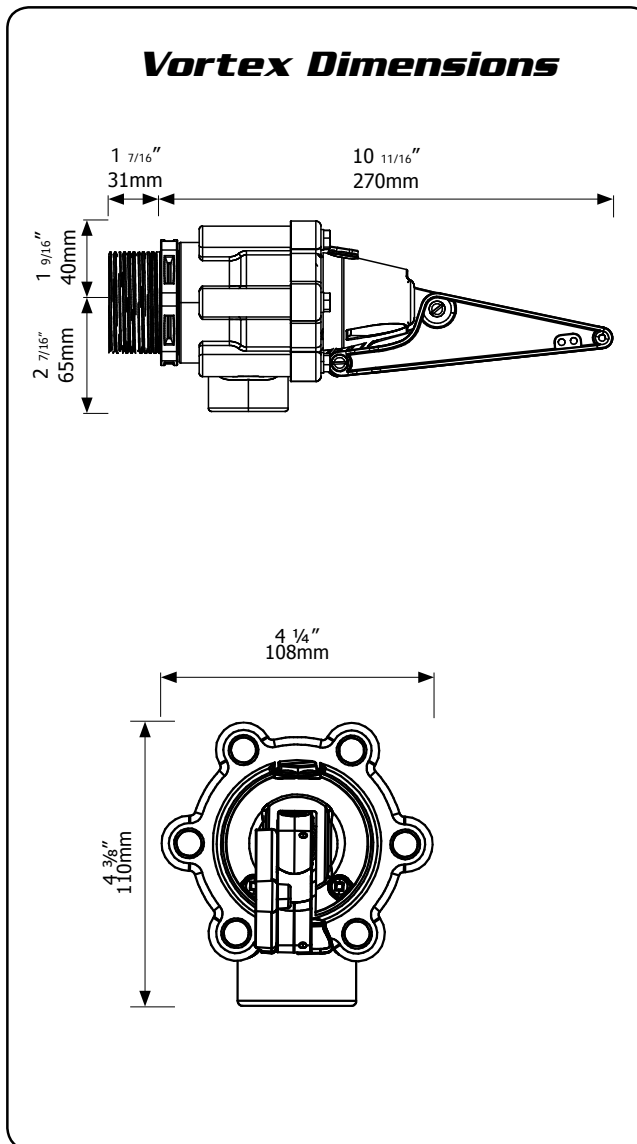
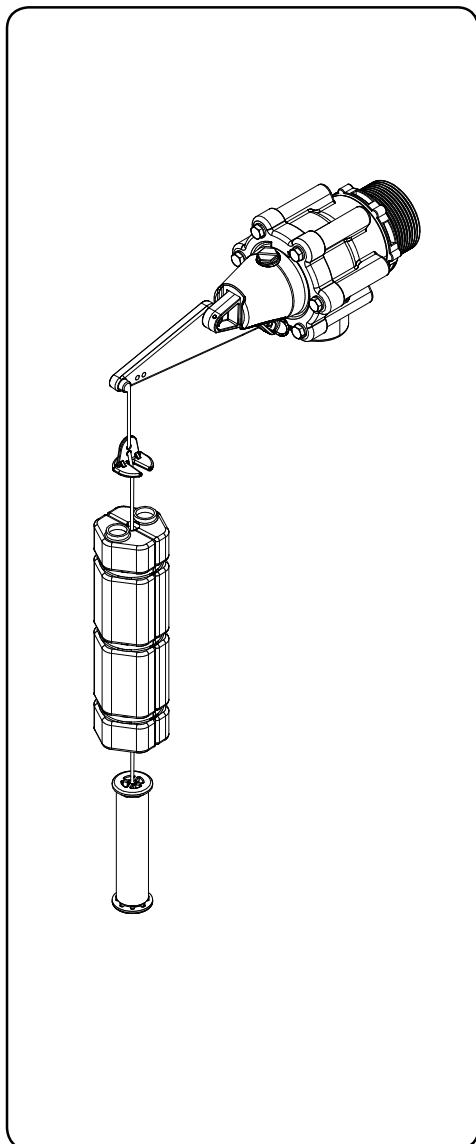
Typical Installation



600 L / MIN

VORTEX DIFFERENTIAL

DIMENSIONS & MATERIALS



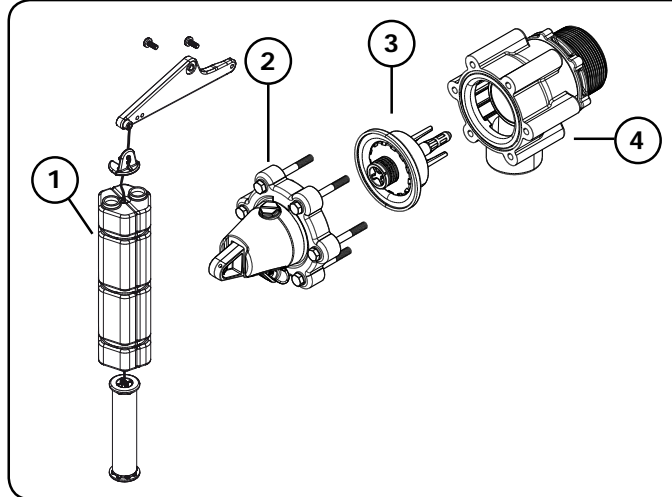
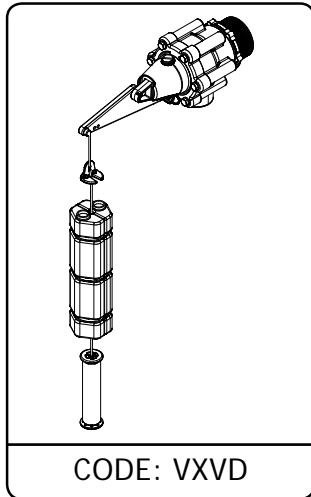
600 L / MIN

Part	Material	Part	Material
Valve Body	GF Nylon	Seal	TPU
White Internal Parts	Acetal	Springs, Bolts, Nuts, Pin, Screws	304 Stainless Steel
Filter	PP/Nylon	O'Rings	Nitrile
Arm Assembly	ABS	Float	HDPE
Diaphragm	EPDM		

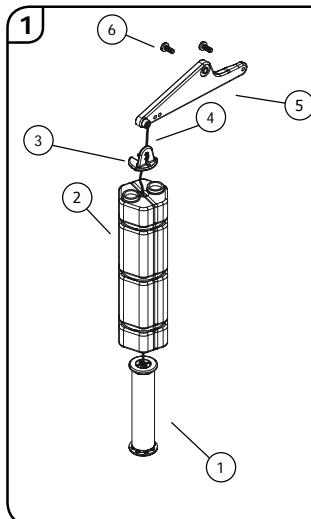
Maximum Operating Temperature **60°C, 140°F**

VORTEX DIFFERENTIAL

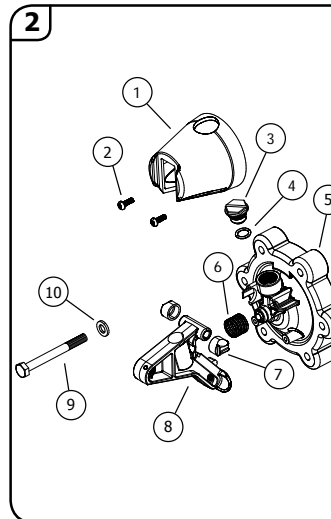
PARTS IDENTIFICATION SHEET



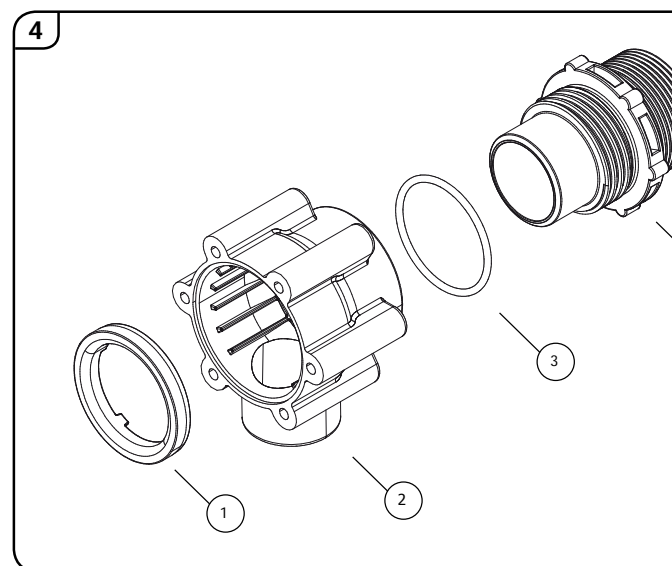
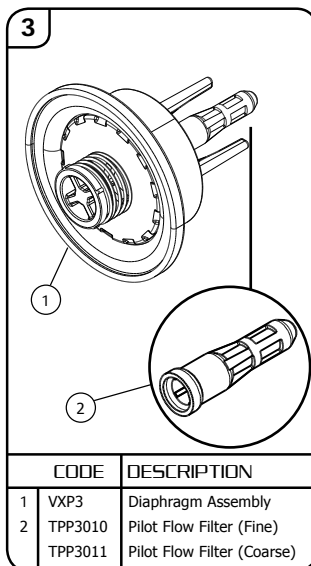
CODE	DESCRIPTION
1 VXP01	Float Assembly
2 VXP02	Cap & Actuator Assembly
3 VXP3	Diaphragm Assembly
4	Base Assembly



CODE	DESCRIPTION
1 VXP01010	Weighted Tube Stop
2 VXP01020	Weighted Float
3 VXP01030	Upper Float Stop
4 VXP01040	Cord
5 VXP01050	Arm Extension
6 VXP01060	M5 x 12 Bolt



CODE	DESCRIPTION
1 VXP02010	Actuator Cap
2 VXP02020	6g x 10 S/S Screw
3 VXP02030	Frost Pro Plug
4 VXP02040	Frost Pro O'ring
5 VXP02050	Valve Cap Assembly
6 VXP02060	Damping Spring
7 VXP02080	Bearings (set of two)
8 VXP02090	Actuator Arm
9 VXP02100	Bolt M6 x 65
10 VXP02110	Washer M6 x 12.5



CODE	DESCRIPTION
1 VXP4010	Vortex Retainer
2 VXP4020	Vortex Base
3 VXP4030	Vortex O'ring
4 VXP4040	Vortex Tail 32mm
VXP4045	Vortex Tail 40mm
VXP4050	Vortex Tail 50mm
VXP4055	Vortex Tail 1 1/4" npt
VXP4060	Vortex Tail 1 1/2" npt
VXP4065	Vortex Tail 2" npt

600 L / MIN