

PR-HF

PRESSURE REGULATOR - HIGH FLOW

Specifications

The pressure regulator shall be capable of operating at a constant, factory preset, non-adjustable outlet pressure of 10, 15, 20, 25, 30, 40, or 50 PSI (0.69, 1.03, 1.38, 1.72, 2.07, 2.76, or 3.45 bar) with a flow range between 10 - 32 GPM (2271 - 7268 L/hr).

The pressure regulator shall maintain the predetermined operating pressure provided that the inlet pressure is at least 5 PSI (0.34 bar) above the expected outlet pressure, but not exceeding the maximum inlet pressure as shown on the Model Numbers chart for this regulator.

All pressure regulator models shall be equipped with one of these inlet-x-outlet configurations:

Inlet

- 1-1/4-inch Female National Pipe Thread (FNPT)
- 1-1/4-inch Female British Standard Pipe Thread (FBSPT)

Outlet

- 1-inch Female National Pipe Thread (FNPT)
- 1-1/4-inch Female National Pipe Thread (FNPT)
- 1-inch Female British Standard Pipe Thread (FBSPT)
- 1-1/4-inch Female British Standard Pipe Thread (FBSPT)

The upper housing, lower housing, and internal molded parts shall be of engineering-grade thermoplastics with internal elastomeric seals and a reinforced elastomeric diaphragm. Regulation shall be accomplished by a fixed stainless steel compression spring, which shall be enclosed in a chamber isolated from the normal water passage.

Outlet pressure and flow shall be clearly marked on the outside of each regulator.

The pressure regulator shall carry a two-year manufacturer's warranty on materials, workmanship, and performance. Each pressure regulator shall be water tested for accuracy before departing the manufacturing facility.

The pressure regulator shall be manufactured by Senninger Irrigation in Clermont, Florida. Senninger is a Hunter Industries Company.

Physical

1-1/4" FNPT x 1" FNPT model *(shown on right)*

1-1/4" FBSPT x 1" FBSPT model

Overall Length
5.6 inches (14.1 cm)

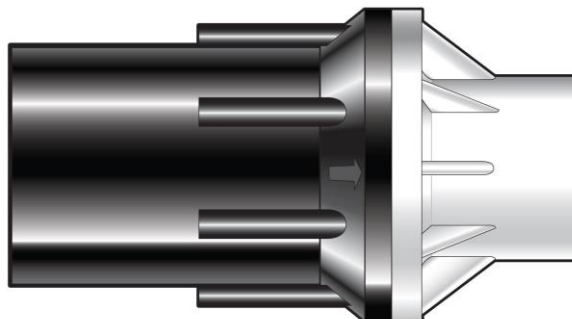
Overall Width
2.9 inches (7.4 cm)

1-1/4" FNPT x 1-1/4" FNPT model

1-1/4" FBSPT x 1-1/4" FBSPT model

Overall Length
5.8 inches (14.7 cm)

Overall Width
2.9 inches (7.4 cm)





PR-HF

PRESSURE REGULATOR - HIGH FLOW

Model Numbers

| Model # | Flow Range | Preset Operating Pressure | Maximum Inlet Pressure |
|----------|-----------------------------------|---------------------------|------------------------|
| PR-10 HF | 10 - 32 GPM (2271 - 7268 L/hr) | 10 PSI (0.69 bar) | 90 psi (6.20 bar) |
| PR-15 HF | 10 - 32 GPM (2271 - 7268 L/hr) | 15 PSI (1.03 bar) | 95 psi (6.55 bar) |
| PR-20 HF | 10 - 32 GPM (2271 - 7268 L/hr) | 20 PSI (1.38 bar) | 100 psi (6.89 bar) |
| PR-25 HF | 10 - 32 GPM (2271 - 7268 L/hr) | 25 PSI (1.72 bar) | 105 psi (7.24 bar) |
| PR-30 HF | 10 - 32 GPM (2271 - 7268 L/hr) | 30 PSI (2.07 bar) | 110 psi (7.58 bar) |
| PR-40 HF | 10 - 32 GPM (2271 - 7268 L/hr) | 40 PSI (2.76 bar) | 120 psi (8.27 bar) |
| PR-50 HF | 10 - 32 GPM (2271 - 7268 L/hr) | 50 PSI (3.45 bar) | 130 psi (8.96 bar) |