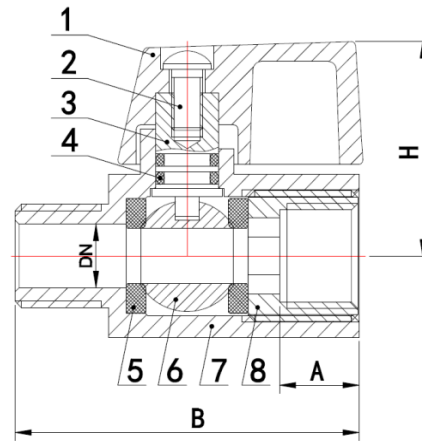


BRVBMMF



Technical specification:

1. Work medium: Water, Non-corrosive liquid,
Saturated steam.

2. Working temperature: $-20^{\circ}\text{C} \leq t \leq 90^{\circ}\text{C}$

SIZE	A	B	H
1/4"	8	10.5	28
3/8"	8	10.5	28
1/2"	10	12	31
3/4"	13	13	34

No.	Name	Material
1	Handle	Al
2	Screw	Steel
3	Stem	Brass
4	Seat	Rubber
5	Seat	PTFE
6	Ball	Brass
7	Body	Brass
8	Nut	Brass